

Pin-Pusher

Product description

In case of an event, the pyrotechnical device will push an element in less than 1 millisecond. It is triggered by the airbag ECU.

- Robust actuator design based on proven airbag technology
- Highly reliable over vehicle lifetime
- Flameless
- Tunable Piston Stroke



Product specifications

Performance

Dimensions	See figure
Mass	25 g
Push Force	1500 N
Stroke	15 mm
Release time	< 1ms
Torque	N/A

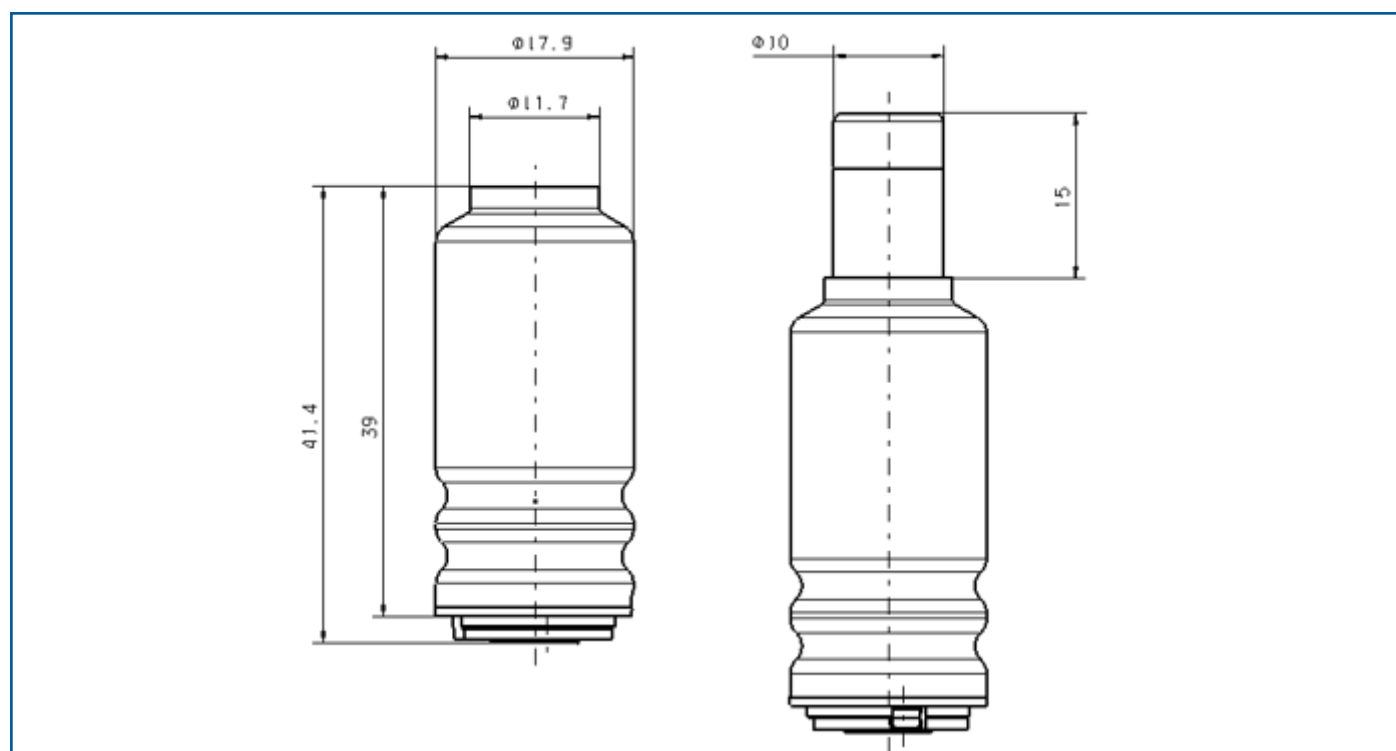
Temperature

Operating temperature	-40°C... + 105°C
Environmental temperature	-40°C... + 105°C
Storage temperature	-40°C... + 90 C

Triggering conditions

Qualified acc. to	AK-LV 16 & USCAR
Triggering circuit resistance	$\geq 1,7 \Omega$ and $\leq 2,5 \Omega$
Triggering current	1,75 A / 0,5 ms
Or	1,20 A / 2,0 ms
No-triggering current	$\leq 0,4$ A
Or	$\leq 5,0$ A / $\leq 4 \mu$ s
Diagnostic current	< 100 mA
Triggering pulse slope	> 8 mA / μ s

Dimensions



Pin-Puller

Product description

In case of an event, the pyrotechnical device will pull an element in less than 1 millisecond. It is triggered by the airbag ECU.

- Robust actuator design based on proven airbag technology
- Highly reliable over vehicle lifetime
- Flameless
- Tunable Piston Stroke



Product specifications

Performance

Dimensions	See figure
Mass	40 g
Push Force	500 N
Stroke	6 mm
Release time	< 1ms
Torque	N/A

Temperature

Operating temperature	-40°C... + 105°C
Environmental temperature	-40°C... + 105°C
Storage temperature	-40°C... + 90 C

Triggering conditions

Qualified acc. to	AK-LV 16 & USCAR
Triggering circuit resistance	$\geq 1,7 \Omega$ and $\leq 2,5 \Omega$
Triggering current	1,75 A / 0,5 ms
Or	1,20 A / 2,0 ms
No-triggering current	$\leq 0,4$ A
Or	$\leq 5,0$ A / $\leq 4 \mu$ s
Diagnostic current	< 100 mA
Triggering pulse slope	> 8 mA / μ s

Dimensions

